

## SHOULD A LEAK DEVELOP IN YOUR SINGLE HANDLE FAUCET

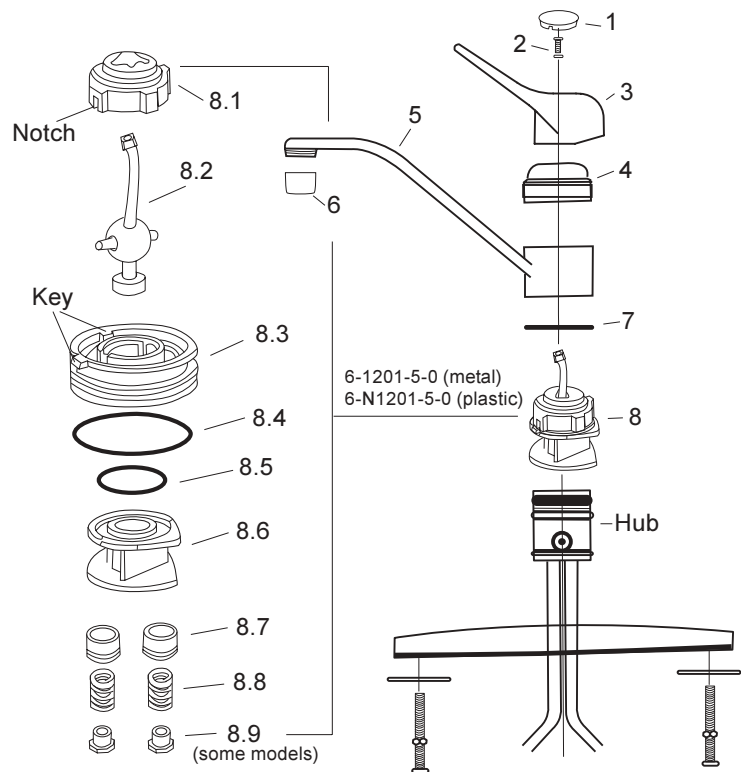
**ALWAYS TURN OFF THE WATER SUPPLY.** Open the faucet lines to relieve any line pressure.

- 1) Remove the handle button (1).
- 2) Remove the handle screw or rear set screw (2).
- 3) Lift off handle (3).
- 4) Wrap a clean dry rag around the centerpiece nut (4) and unscrew it.
- 5) Lift off ball cap (8.1).
- 6) Pull up on the metal ball lever (8.2) to remove the ball lever and ball seat (8.3).  
 (Rock the lever back and forth to loosen. A pliers can be used but take care not to damage the square handle drive.)
- 7) Remove Bonnet Bottom (8.6).
- 8) Clean debris from underside of bonnet bottom and inside the faucet body by flushing with water. Check bonnet bottom inlet surface for scoring. Replace as necessary.
- 9) To remove the seat washers and springs (8.7, 8.8) insert the tip of a pen into the washer and pull up at an angle.
- 10) Inspect the seat washers for wear or damage. If the washer is cut or worn, it must be replaced with a genuine Phoenix repair kit.

### Reassembly

- 1) To replace the spring and seat washer it is helpful to assemble them on the end of a pen. The spring fits into the larger end of the seat washer. If there is a spring insert (8.9), place it on the other end of the spring. Once the spring and washer are positioned in the hole, the other end of the pen can be used to tap the washer into place.
- 2) To assemble the cartridge, insert the ball lever into the ball seat and rotate until the cross bar on the lever fits into the notches on the ball seat (it will only fit one way).
- 3) Snap the ball lever into the bonnet bottom by aligning the flat sides of the bottom of the lever and the hole in the bonnet bottom. You may need a little pressure to snap it into place. (Metal faucet bonnet bottom is a loose fit).
- 4) Place the bonnet bottom, ball seat and ball lever assembly into the faucet with the holes in the bonnet bottom at the back of the faucet.

- 5) Align the key on the ball seat with the notch on the hub and apply gentle pressure until the top of the ball seat is flush with the top of the hub.
- 6) Replace ball cap by rotating on the ball lever until it drops down. Then rotate to line the notch on the ball cap with the key on the top of the ball seat.
- 7) Replace centerpiece nut, handle, screw and button.



**For information regarding additional service or replacement parts contact: Phoenix Products, Inc. 583 Miller Road Avon Lake, OH 44012, or call 800-222-6041, fax 440-933-6252., email info@Phoenixfaucets.com**