

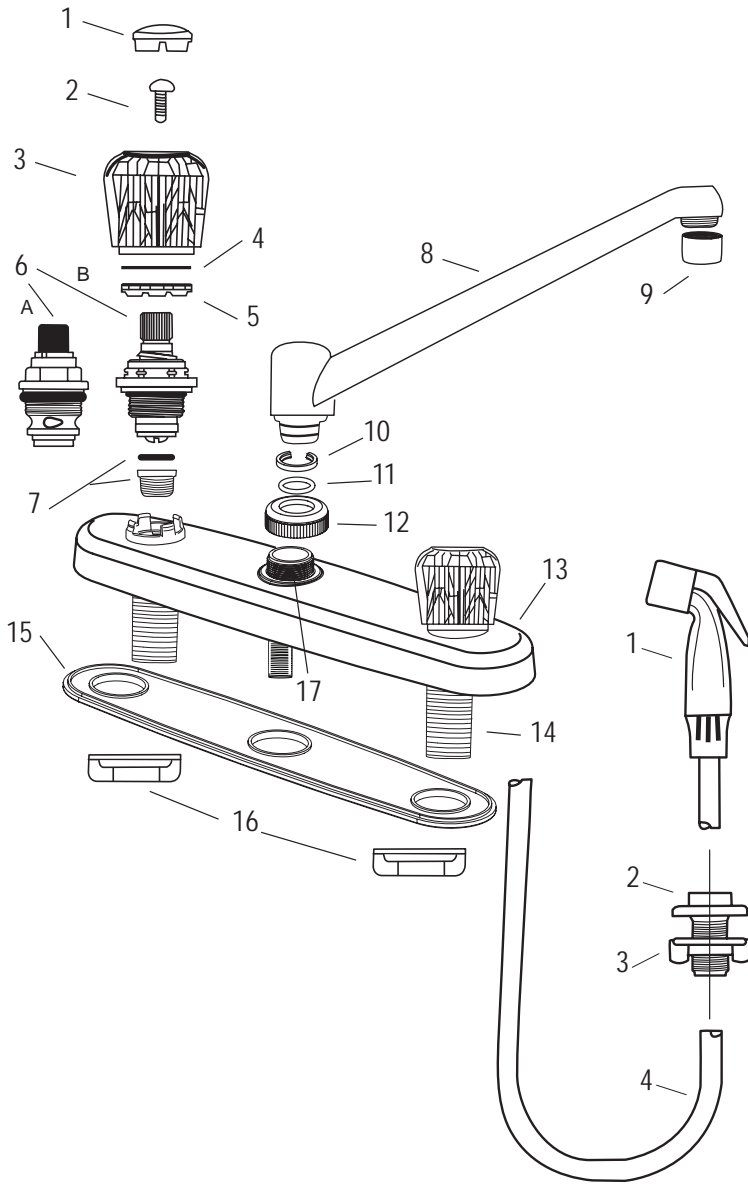
Phoenix  
Parts Breakdown Book





# Phoenix 2 Handle

4" and 8" centers  
Ledge Mount  
Kitchen, Bar, Galley, Laundry

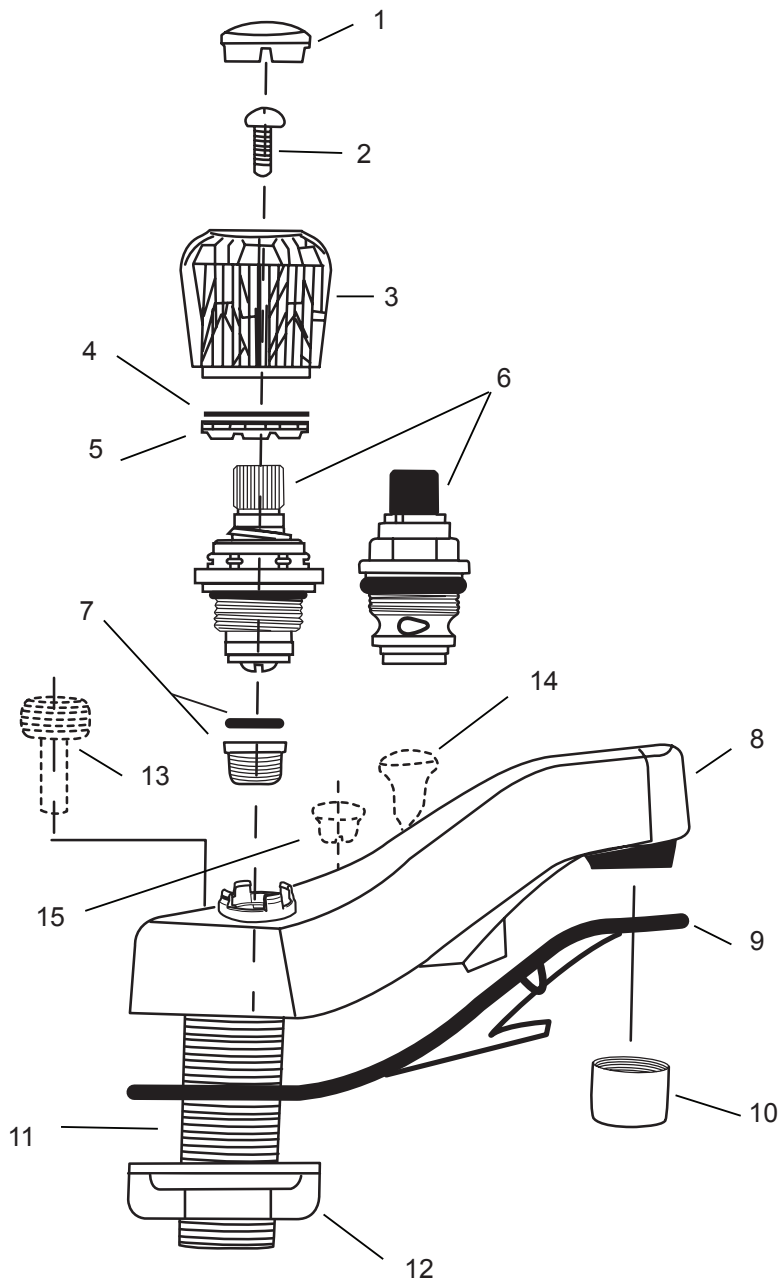


No.	SPRAY BREAKDOWN (SPRAYER MODELS ONLY)	PART NUMBER
	SIDE SPRAY KIT, BLACK	151-22-0
	SIDE SPRAY IT, WHITE	151-22W-0
1	SPRAY HEAD	
2	SIDE SPRAY HOSE GUIDE	
3	SIDE SPRAY HOSE LOCKNUT	
4	SIDE SPRAY HOSE	

No.	NAME	PART NUMBER
1	HANDLE BUTTONS	SEE HANDLE KITS PAGE
2	HANDLE SCREWS	
	PLASTIC STEMS	60-4-2
	BRASS STEMS	40-2H
	TEACUP HANDLES	T44-4-2
3	HANDLE (SEVERAL STYLES AVAILABLE)	SEE HANDLE KITS PAGE
4	LOCK WASHER	40-5-3
5	BONNET OR CARTRIDGE LOCK	40-5-8
6	STEMS (SEE STEM CHART)	
7	SEAT & WASHER (FOR BRASS UNDERBODIES ONLY)	
	BRASS	40-1
	PLASTIC	P40-12-1
8	SPOUTS (SEVERAL STYLES AVAILABLE)	SEE SPOUTS PAGE
9	AERATORS	
	CHROME	50-19C
	WHITE	50-19W
	BRUSHED NICKEL	50-19BN
10	SPOUT SPLIT SNAP RING	N50-7-21P
11	SPOUT O-RING	50-7-6
12	SPOUT NUTS	
	CHROME (FOR PLASTIC SPOUTS)	52-11C
	WHITE (FOR PLASTIC OR METAL SPOUTS)	52-17
	CHROME METAL (FOR METAL SPOUTS)	P54-11C
13	SHIELD	NOT AVAILABLE
14	SHANK	NOT AVAILABLE
15	BOTTOM PLATE	NOT AVAILABLE
16	LOCKNUT	NOT AVAILABLE
17	UNDERBODY	NOT AVAILABLE

# Phoenix 2 Handle Lavatory

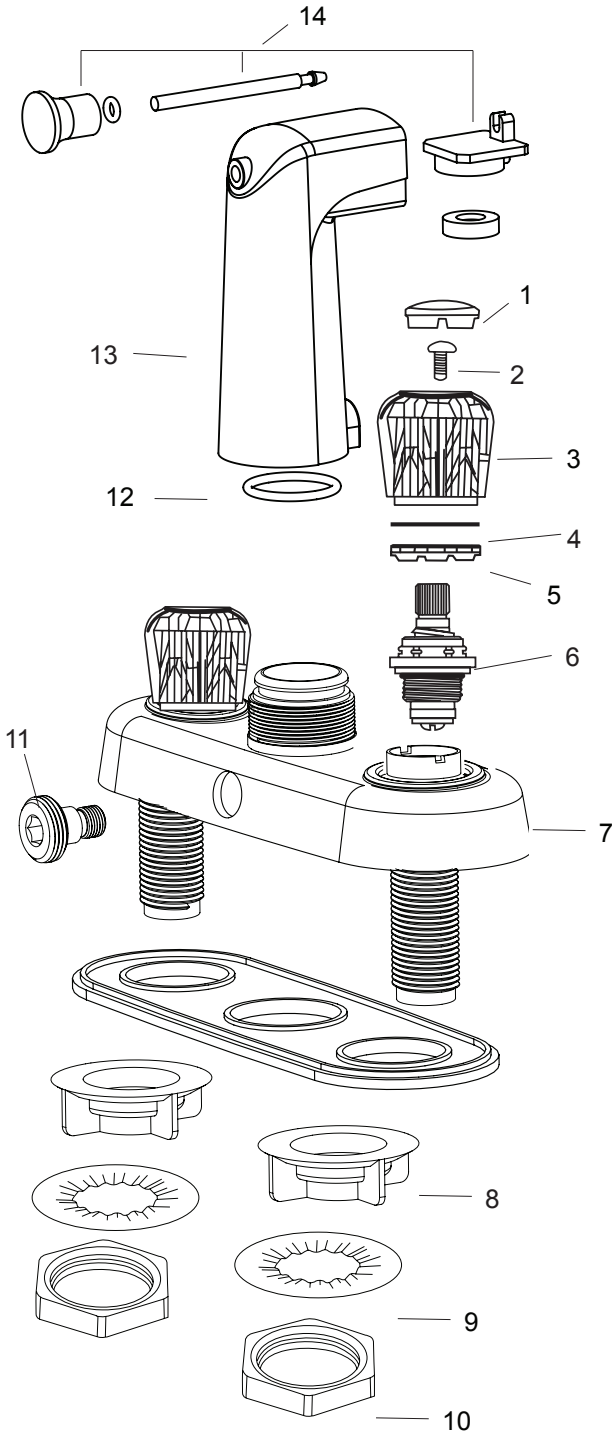
4" centers  
Ledge Mount



No.	NAME	
1	HANDLE BUTTON	SEE HANDLE KITS PAGE
2	HANDLE SCREWS	
	PLASTIC STEMS	60-4-2
	BRASS STEMS	40-2H
	TEACUP HANDLES	T44-4-2
3	HANDLES (SEVERAL STYLES AVAILABLE)	SEE HANDLE KITS PAGE
4	LOCK WASHER	40-5-3
5	BONNET OR CARTRIDGE LOCK	40-5-8
6	STEMS (SEE STEM CHART)	
	PLASTIC 1/4 TURN WASHERLESS	P22
	PLASTIC WASHERLESS FOR KNOB HANDLES ONLY	P42
	PLASTIC COMPRESSION (INTERCHANGEABLE WITH 41-5-0)	45-5-0 & 0LH
	BRASS COMPRESSION (INTERCHANGEABLE WITH 45-5-0)	45-5-0 & 0LH
7	SEAT & WASHER (FOR BRASS UNDERBODIES ONLY)	
	BRASS	40-1
	PLASTIC	P40-12-1
8	SHIELD	NOT AVAILABLE
9	BOTTOM PLATE	NOT AVAILABLE
10	AERATORS	
	CHROME	50-19C
	WHITE	50-19W
	BRUSHED NICKEL	50-19BN
	BLACK	50-19BK
11	SHANK (BRASS OR PLASTIC)	NOT AVAILABLE
12	LOCKNUT	NOT AVAILABLE
13	SHOWER DIVERTER SPUD (DIVERTER MODELS ONLY)	44-13
14	DIVERTER KNOB (DIVERTER MODELS ONLY)	NOT AVAILABLE
15	PLUG (NON-DIVERTER MODELS ONLY)	NOT AVAILABLE

# Phoenix 2 Handle Tub/Shower Diverter

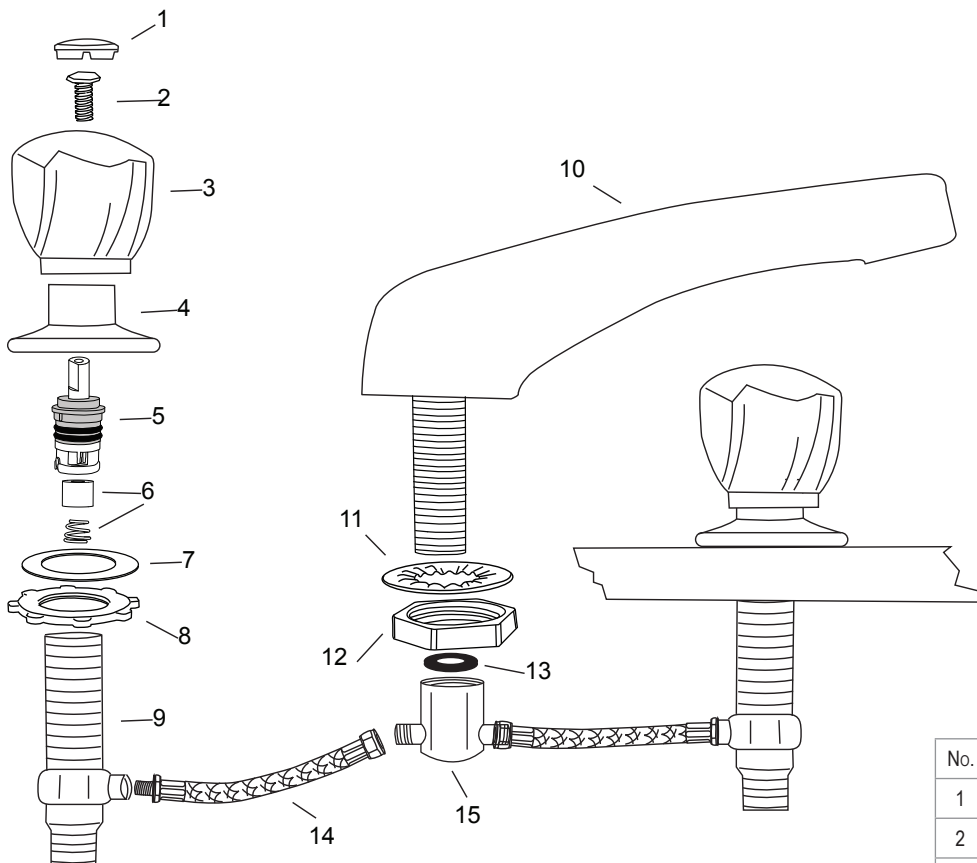
4" centers  
Wall Mount with D-Spud



No.	NAME	PART NUMBER
1	HANDLE BUTTONS	SEE HANDLE KITS PAGE
2	HANDLE SCREWS	
	PLASTIC STEMS	60-4-2
	BRASS STEMS	40-2H
	TEACUPS	T44-4-2
3	HANDLES (SEVERAL STYLES AVAILABLE)	SEE HANDLE KITS PAGE
4	BONNET WASHER	40-5-3
5	BONNET LOCKNUT	40-5-8
6	STEMS (SEE STEM CHART)	
7	SHIELD	NOT AVAILABLE
8	LOCKNUT (PLASTIC SHANKS)	NOT AVAILABLE
9	LOCKNUT WASHER (BRASS SHANKS)	NOT AVAILABLE
10	LOCKNUT (BRASS SHANKS)	NOT AVAILABLE
11	D SPUD (EXPOSED)	46-13
12	SPOUT O-RING	NOT AVAILABLE
13	SPOUT ASSEMBLY	48-7-0
14	CLAPPER ASSEMBLY	48-1-0

# Phoenix 2 Handle Garden Tub Filler

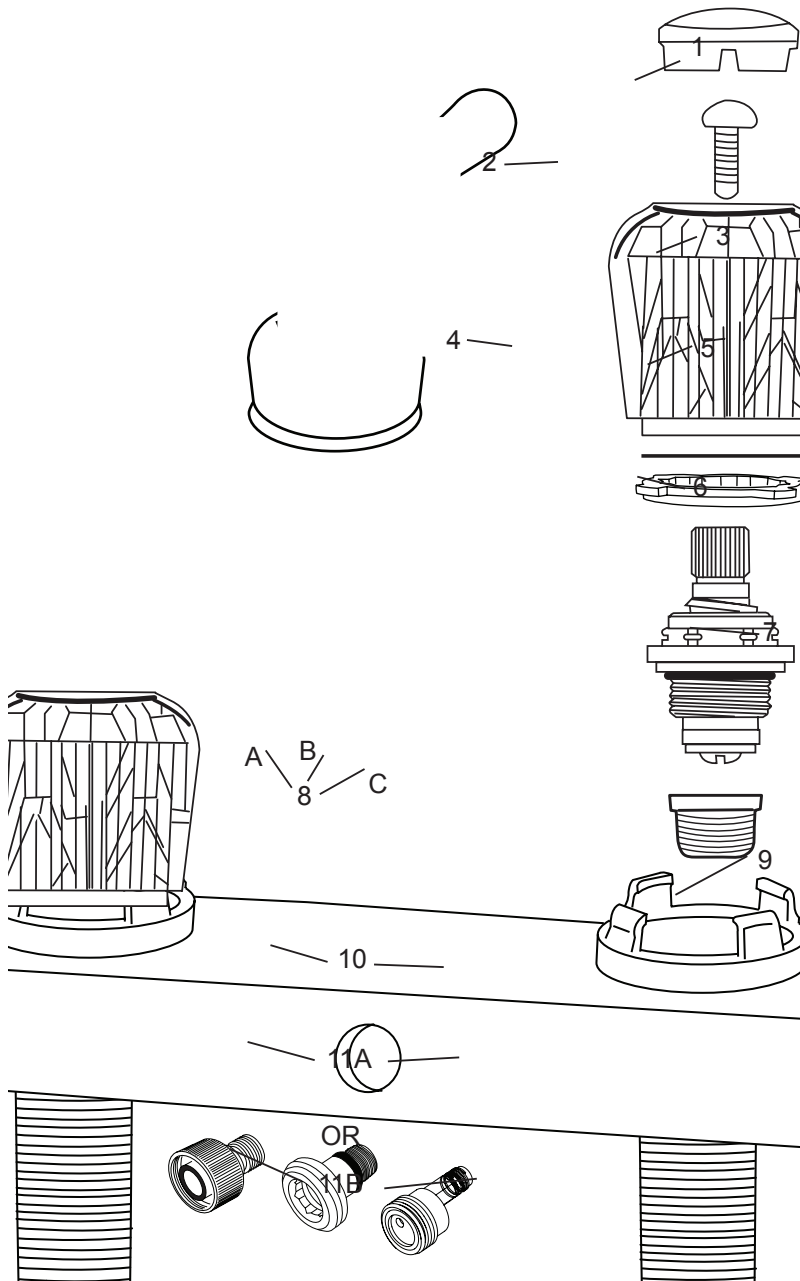
8"-24" centers  
Deck Mount



No.	NAME	PART NUMBER
1	HANDLE BUTTONS	SEE HANDLE KITS PAGE
2	HANDLE SCREWS	
	PLASTIC STEMS	60-4-2
	BRASS STEMS	40-2H
	TEACUP HANDLES	T44-4-2
3	HANDLES (SEVERAL STYLES AVAILABLE)	SEE HANDLE KITS PAGE
4	FLANGE	38-8
5	STEMS (SEE STEM CHART)	
6	SEAT & WASHER (FOR BRASS UNDERBODIES ONLY)	
	BRASS	40-1
	PLASTIC	P40-12-1
7	FLAT VALVE WASHER	NOT AVAILABLE
8	LOCKNUT	NOT AVAILABLE
9	VALVE	C38-14-5
10	SPOUT	NOT AVAILABLE
11	CROW'S FOOT WASHER	NOT AVAILABLE
12	SPOUT NUT	NOT AVAILABLE
13	BLACK RUBBER WASHER	NOT AVAILABLE
14	FLEXIBLE HOSE	38-22
15	SPOUT TEE	NOT AVAILABLE

# Phoenix 2 Handle Shower Valve

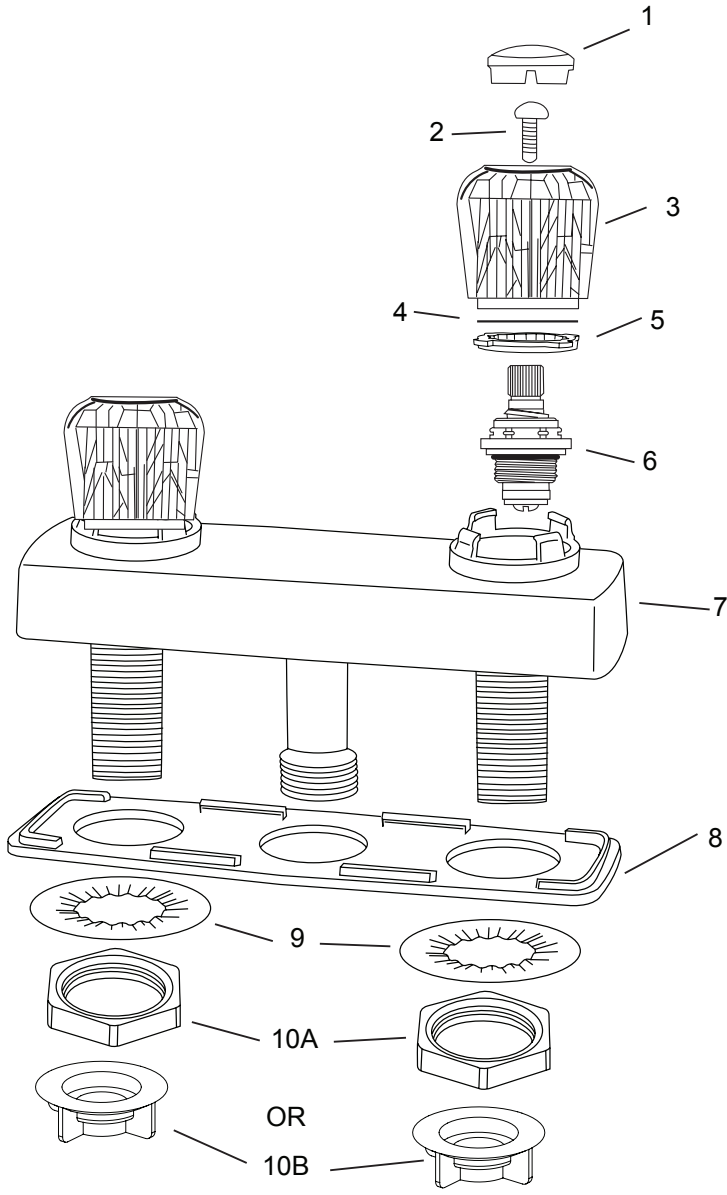
3-3/8", 4" centers  
Wallmount Exposed, Auxiliary Shower



No.	NAME	PART NUMBER
1	HANDLE BUTTONS	SEE HANDLE KITS PAGE
2	HANDLE SCREWS	
	PLASTIC STEMS	60-4-2
	BRASS STEMS	40-2H
	TEACUP HANDLES	T44-4-2
3	HANDLES (SEVERAL STYLES AVAILABLE)	SEE HANDLE KITS PAGE
4	BONNET WASHER	40-5-3
5	BONNET LOCK NUT	40-5-8
6	STEMS (SEE STEM CHART)	
7	SHIELD	NOT AVAILABLE
8A*	D-SPUD	35-13
8B*	RISER NUT (FOR ADD A SHOWER)	45-13-0
8C*	VACUUM BREAKER	412-13
9	BOTTOM PLATE	NOT AVAILABLE
10*	THIN WALL METAL WASHER	NOT AVAILABLE
11A*	THIN WALL METAL LOCK NUT	NOT AVAILABLE
11B*	PLASTIC LOCK NUT	NOT AVAILABLE

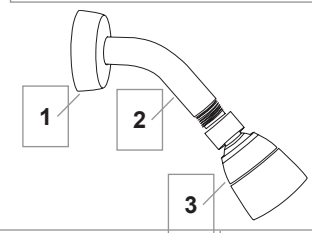
# Phoenix 2 Handle Shower Valve

3-3/8", 4" centers  
Wallmount Concealed



No.	NAME	PART NUMBER
1	HANDLE BUTTONS	SEE HANDLE KITS PAGE
2	HANDLE SCREWS	
	PLASTIC STEMS	60-4-2
	BRASS STEMS	40-2H
	TEACUP HANDLES	T44-4-2
3	HANDLES (SEVERAL STYLES AVAILABLE)	SEE HANDLE KITS PAGE
4	BONNET WASHER	40-5-3
5	BONNET LOCK NUT	40-5-8
6	STEMS (SEE STEM CHART)	
7	SHIELD	NOT AVAILABLE
8	BOTTOM PLATE	NOT AVAILABLE
9*	THIN WALL METAL WASHER	NOT AVAILABLE
10A*	THIN WALL METAL LOCK NUT	NOT AVAILABLE
10B*	PLASTIC LOCK NUT	NOT AVAILABLE

SHOWER HEAD, ARM AND FLANGE ASSEMBLY  
NOT INCLUDED WITH ALL MODELS



No.	NAME	PART NUMBER
1*	SHOWER FLANGE	
2*	SHOWER ARM	
3*	SHOWER HEAD	



## Choose Your Handle

	Number	Description	Kitchen	Lav	Tub/ Shower	Garden Tub	Button/ Screw
	40-9	Knob, clear acrylic	•	•	•		40-16 H, C, or A 40-2H
	50-9	Knob, smoke acrylic	•	•	•		50-16 H, C or A 40-2H
	41-9	Knob, tall clear acrylic (Freedom)	•	•	•		41-16 H, C or A 60-4-2
	T44-9	Teacup, chrome	•	•	•		T44-9C-1 H or C T44-4-2
	T44-9BN	Teacup, brushed nickel, ADA	•	•	•		T44-9BN-1 H or C T44-4-2
	T44-9W	Teacup, white	•	•	•		T44-9W-1 H or C T44-4-2
	55-9	Knob, tall plastic, chrome	•	•	•		41-16 H or C 60-4-2
	55-9W	Knob, tall plastic, white	•	•	•		41-16W H or C 60-4-2
	36-9	Lever, wing, chrome, ADA	•	•			41-16 H or C 60-4-2
	35-9	Lever, short chrome, ADA		•			40-2H
	60-9	Knob, large, clear, acrylic				•	38-16 H, C or A 40-2H
	70-9	Knob, large, smoke, acrylic				•	70-16 H, C or A 40-2H
	38-9	Knob, large 5 point, clear				•	38-16 H, C or A 40-2H
	48-9	Knob, large 5 point, smoke				•	70-16 H, C or A 40-2H

# Which Is The Right Stem

	PART NUMBER	DESCRIPTION	KNOB HANDLES	LEVER HANDLES	Kitchen	Lav	Tub/ Shower	Garden Tub
	41-5-0	RIGHT HAND BRASS COMPRESSION FOR SINK MOUNTED FAUCETS AND EXPOSED TUB/SHOWER. USED ON HOT AND COLD SIDES WITH ACRYLIC HANDLES. FOR KNOB HANDLES HOT AND COLD. STREAMWAY #108-0RH	● HOT & COLD	● HOT ONLY	●	●	● EXPOSED ONLY	
	41-5-0LH	LEFT HAND LEVER HANDLE BRASS COMPRESSION FOR SINK MOUNTED FAUCETS AND EXPOSED TUB/SHOWER. FOR COLD SIDE WITH LEVER HANDLE ONLY. STREAMWAY #108-0LH		● COLD ONLY	●	●	● EXPOSED ONLY	
	P22	RIGHT HAND PLASTIC 1/4 TURN FOR STREAMWAY, NIBCO AND PHOENIX FAUCETS. USED IN SINK MOUNT FAUCETS AND EXPOSED WALL MOUNT TUB/SHOWER. FOR KNOB HANDLES HOT AND COLD.	● HOT & COLD	● HOT ONLY	●	●	● EXPOSED ONLY	
	P22LH	LEFT HAND PLASTIC 1/4 TURN FOR STREAMWAY, NIBCO AND PHOENIX FAUCETS. USED IN SINK MOUNT FAUCETS AND EXPOSED WALL MOUNT TUB/SHOWER. FOR COLD SIDE WITH LEVER HANDLE ONLY.		● COLD ONLY	●	●	● EXPOSED ONLY	
	45-5-0	RIGHT HAND PLASTIC COMPRESSION FOR SINK MOUNT FAUCETS AND EXPOSED TUB/SHOWER UNITS. FOR KNOB HANDLES HOT AND COLD.	● HOT & COLD		●	●	● EXPOSED ONLY	
	P42	WASHERLESS CARTRIDGE PLASTIC FOR SINK MOUNT FAUCETS AND EXPOSED TUB/SHOWER UNITS. FOR KNOB HANDLES HOT AND COLD. REPLACES P82						
	P82	WASHERLESS CARTRIDGE PLASTIC FOR SINK MOUNT FAUCETS AND EXPOSED TUB/SHOWER UNITS. FOR KNOB HANDLES HOT AND COLD.	● HOT & COLD		●	●	● EXPOSED ONLY	
	61-5-0	RIGHT HAND BRASS COMPRESSION FOR CONCEALED WALL MOUNT TUB/SHOWER, DECK MOUNT GARDEN TUB AND WIDESPREAD LAVATORY. FOR KNOB HANDLES HOT AND COLD. STREAMWAY #960-0	● HOT & COLD	● HOT ONLY			● CONCEALED ONLY	●
	61-5-0LH	LEFT HAND LEVER HANDLE BRASS COMPRESSION FOR CONCEALED WALL MOUNT TUB/SHOWER, DECK MOUNT GARDEN TUB AND WIDESPREAD LAVATORY. FOR COLD SIDE WITH LEVER HANDLE ONLY.		● COLD ONLY			● CONCEALED ONLY	●
	639-5-0	PLASTIC COMPRESSION FOR PHOENIX 3 VALVE TUB/SHOWER DIVERTERS. USE IN WALL OR DECK THICKNESSES UP TO 7/8". REPLACES 60-4D-0.	●	●			● DIVERTER VALVE ONLY	● DIVERTER VALVE ONLY
	60-4D-0/ 60-5D-0	PLASTIC FOR PHOENIX 3 VALVE WALL MOUNT TUB/SHOWER DIVERTERS. USED IN WALL THICKNESSES UP TO 7/8". OLD STYLE, OBSOLETE IN 1991, NOT INTERCHANGEABLE WITH 639-5-0.	●	●			● DIVERTER VALVE ONLY	

	PART NUMBER	DESCRIPTION	Knob Handles	Lever Handles	Kitchen	Lav	Tub/ Shower	Garden Tub
DISCONTINUED STEMS - AVAILABLE FOR REPLACEMENT ONLY								
	1610-5-0	FOR CONCEALED WALL MOUNT TUB/SHOWER, 2" MAX WALL THICKNESS. FOR KNOB HANDLES HOT AND COLD.	• HOT & COLD				• CONCEALED ONLY	
	1639-5-0	DIVERTER STEM FOR WALL MOUNT TUB/SHOWER, 2" MAX WALL THICKNESS.					• DIVERTER VALVE ONLY	
	1600-4D-0	PLASTIC FOR 3 VALVE WALL MOUNT TUB/SHOWER DIVERTERS. 2" MAX WALL THICKNESS.					• DIVERTER VALVE ONLY	
	P60	PLASTIC/BRASS WASHERLESS. FOR STREAMWAY AND AQUASTREAM SINK MOUNTS AND EXPOSED WALL MOUNT TUB/SHOWER. FOR KNOB HANDLES HOT AND COLD.	• HOT & COLD		•	•	• EXPOSED ONLY	
	2601-4D-0	BRASS NIBCO 3 VALVE TUB/SHOWER DIVERTERS.					• DIVERTER VALVE ONLY	

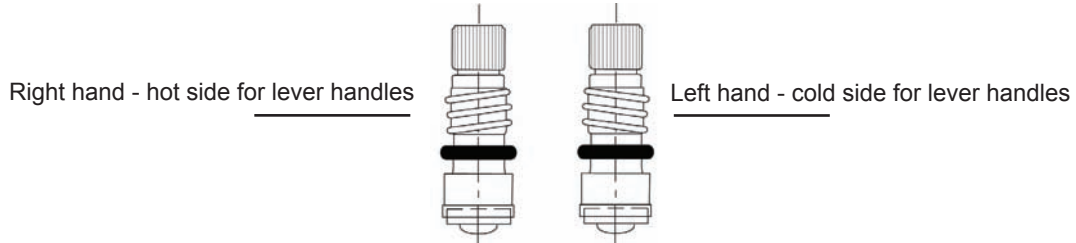
## Kitchen Spout Selections

	DESCRIPTION	PART NUMBER
	STANDARD PLASTIC SPOUT, CHROME	52-78-0
	STANDARD PLASTIC SPOUT, WHITE, WITH WHITE OR CHROME AERATOR	57-78A-0
	STANDARD METAL SPOUT, CHROME	58-78A-0
	HI-ARC METAL SPOUT, CHROME	51-78A-0
	HI-ARC METAL SPOUT, WHITE	51-78W-0

	DESCRIPTION	PART NUMBER
	BAR SPOUT, METAL, 6 INCH	56-76-0
	BAR SPOUT, METAL, 9 INCH	56-79-0
	LAUNDRY SPOUT, METAL,	50-78A-0
	LAUNDRY SPOUT, METAL, HOSE THREADS	50-78-0

### **RIGHT HAND vs. LEFT HAND STEM AND BONNETS**

Two handle faucets with standard acrylic handles use the same stem assembly for the hot and cold sides: A right hand stem and bonnet that opens when the handles is turned counter clockwise (left) and closes in a clockwise (right) direction.



Two handle faucets with lever handles are designed to open when you pull the levers toward you and to close when you push the levers back. Therefore, these faucets use a right hand stem and bonnet on the hot water side, and a left hand stem and bonnet on the cold water side. We know that seems backwards, but that's how it's done .... Really!

Questions?

Need to Place an order?

Contact Phoenix:

(P) 440-933-8100

(F) 440-933-6252

[phoenixfaucets.com](http://phoenixfaucets.com)